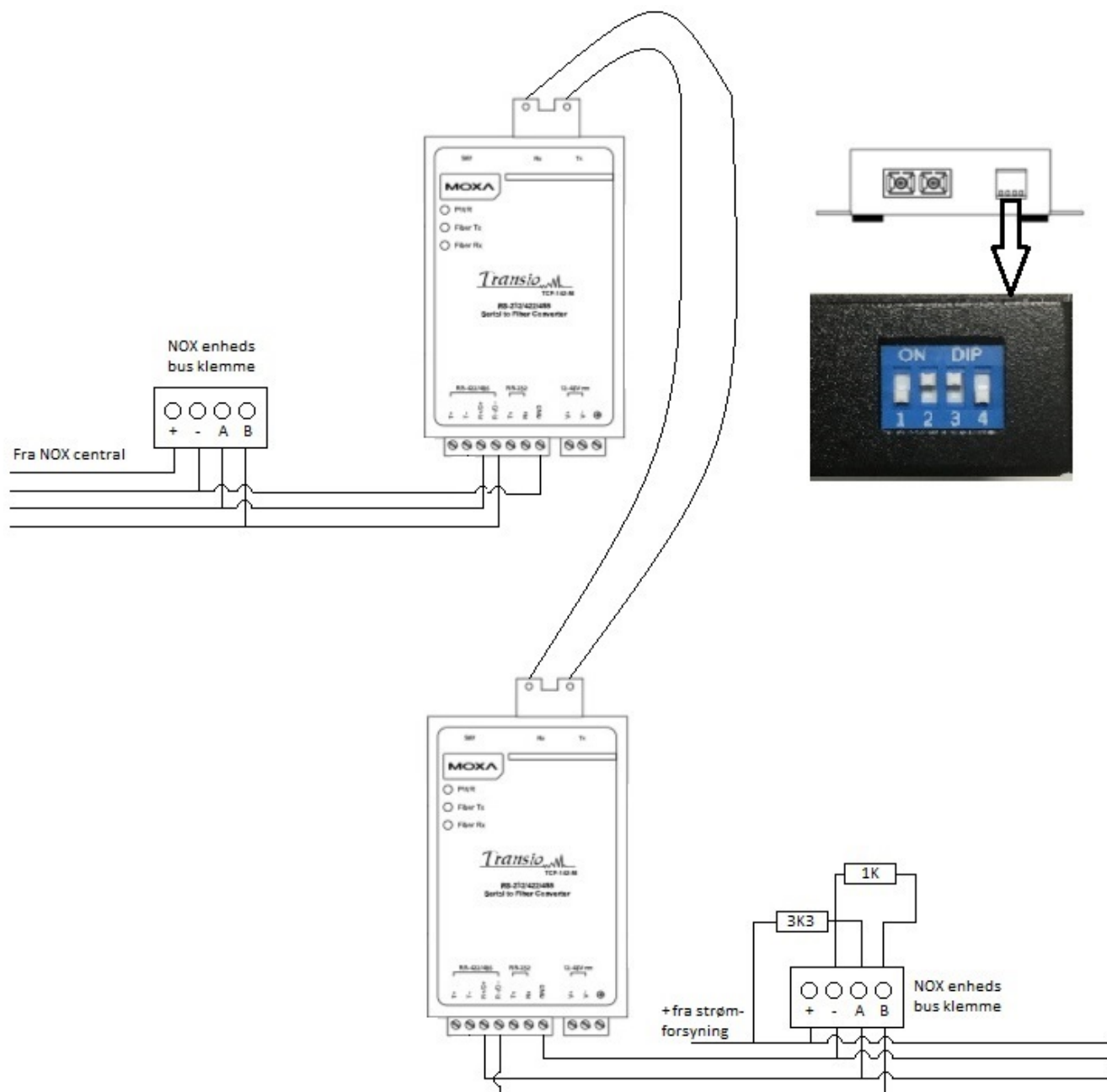


Tilslutning af MOXA TCF 142 S-SC singlemode

Til Nox enheder

Flow Control	ADDC® (automatic data direction control) for RS-485			
Optical Fiber	Low-Speed Fiber Module		Multi-Mode	Single-Mode
	Fiber Cable Requirements		50/125 µm, 800 MHz	G.652
			62.5/125 µm, 500 MHz	
	Typical Distance		5 km	40 km
	Wavelength	Typical (nm)	850	1310
		TX Range (nm)	840 to 860	1290 to 1330
		RX Range (nm)	800 to 900	1100 to 1650
	Optical Power	TX Range (dBm)	0 to -5	0 to -5
		RX Range (dBm)	0 to -20	0 to -25
		Link Budget (dB)	15	20
Dispersion Penalty (dB)		1	1	
Note: When using a power meter to measure the fiber TX power, set the baudrate to 9,600 bps and send data (00, ..., 0h) to the serial converter's serial port.				
Pull High/Low Resistor for RS-485	1 kilo-ohm, 150 kilo-ohms			
RS-485 Data Direction Control	ADDC® (automatic data direction control)			
Terminator for RS-485	N/A, 120 ohms, 120 kilo-ohms			
Connector	7-pin terminal block			
Latency	300 ns			
Serial Signals				
RS-232	TxD, RxD, GND			
RS-422	Tx+, Tx-, Rx+, Rx-, GND			
RS-485-4w	Tx+, Tx-, Rx+, Rx-, GND			
RS-485-2w	Data+, Data-, GND			
Power Parameters				
No. of Power Inputs	1			
Input Current	140 mA @ 12 VDC			
Input Voltage	12 to 48 VDC			
Overload Current Protection	Supported			
Power Connector	Terminal block			
Power Consumption	140 mA @ 12 VDC			
Physical Characteristics				
IP Rating	IP30			
Housing	Metal			
Dimensions (with ears)	90 x 100 x 22 mm (3.54 x 3.94 x 0.87 in)			
Dimensions (without ears)	67 x 100 x 22 mm (2.64 x 3.94 x 0.87 in)			



Den 3K3 modstand er taget ud fra at det er en 12V strøm-forsyning, det kan være at modstanden skal hæves til 4K7 eller 5K6, hvis der bruges NOX strøm-forsyning som er 15V. Kontrolmåling: ca. 2,6V imellem minus og bus A, ca. 2,4V imellem minus og bus B. Det er vores anbefaling, at man monterer en repeater efter den sidste Moxa, for at gøre NOX bussen mere stabil.

DIP switch:

DIP 1 og 2 er til 2 tråds RS485 bus, DIP 3 er til intern 120 ohm's modstand og DIP 4 er bus struktur (som perler på en snor)